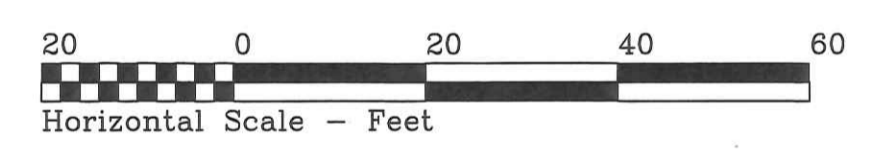


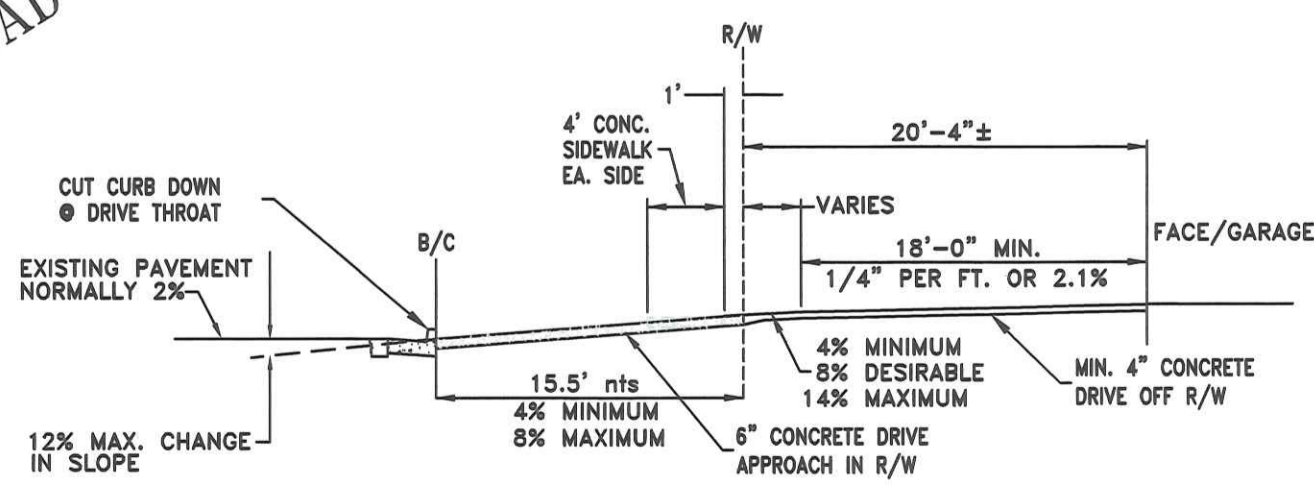
LOCATION MAP



OHIO UTILITIES PROTECTION SERVICE
 The underground utilities shown hereon are only approximate. Some of the utilities were located by field observation, where possible, and the remaining utilities were derived from various records. Exact locations must be determined by the UTILITY COMPANIES. For exact locations, telephone the Ohio Utilities Protection Service (O.U.P.S.) toll free at 1-800-362-2764. (Telephone 2 working days before any digging.)



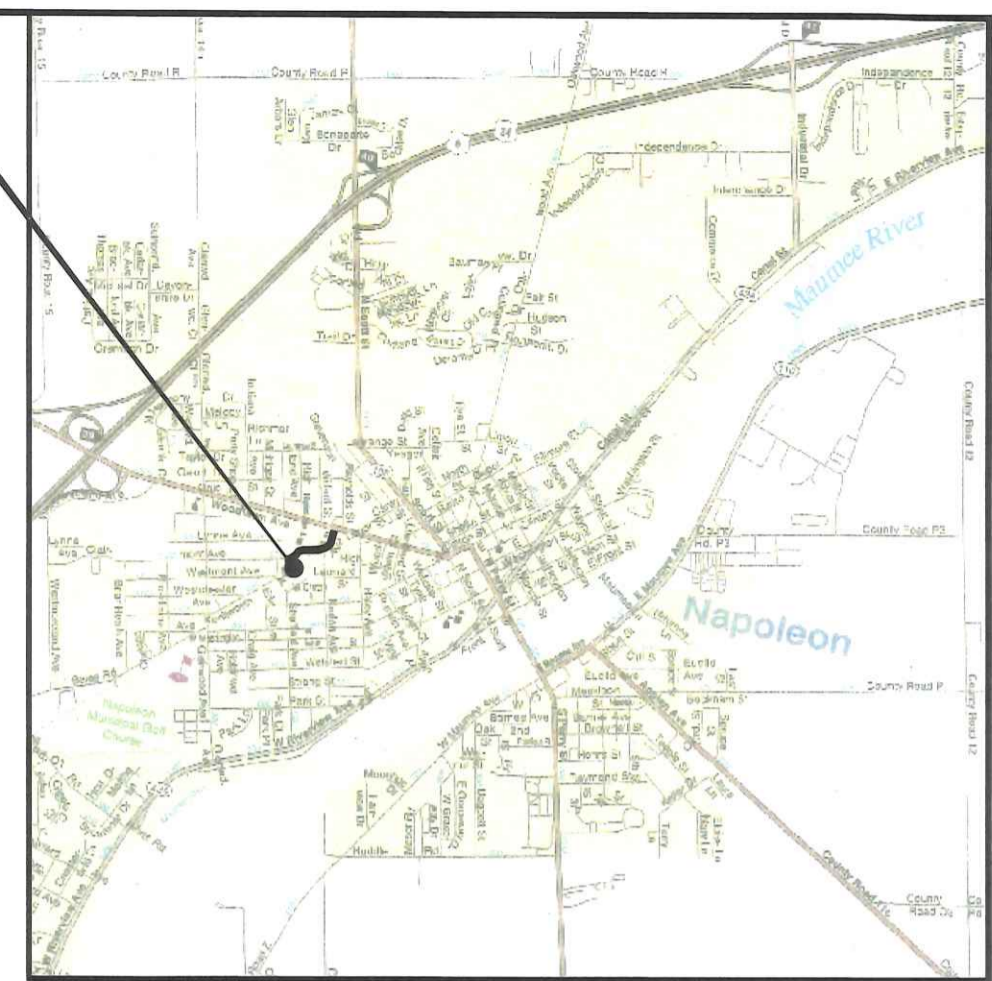
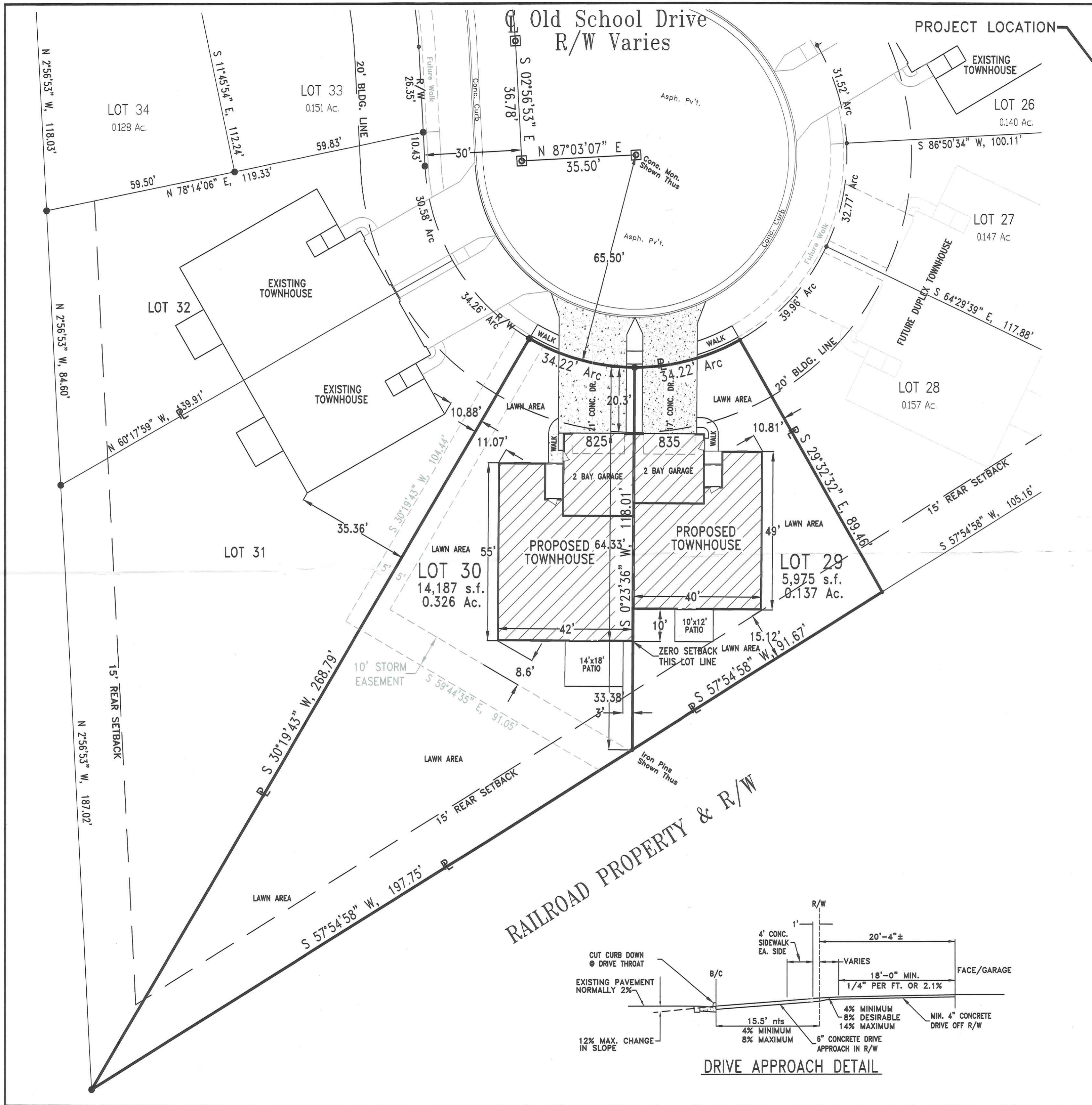
RAILROAD PROPERTY & R/W



DRIVE APPROACH DETAIL

SITE LOCATION PLAN
 FOR
LOTS NO. 29 & 30
 WESTVIEW VILLAS SUBDIVISION
 CITY OF NAPOLEON, NAPOLEON TOWNSHIP,
 HENRY COUNTY, OHIO

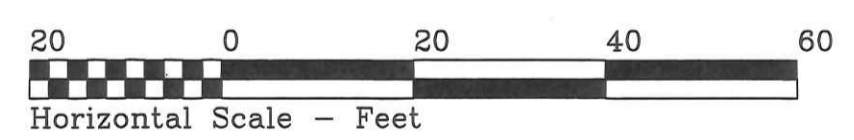
BECK CONSTRUCTION CO SCOTT STREET 419/592-8307 NAPOLEON, OHIO	
DIRECTORY:C:\ND\BECKCONST\	DRAWN BY: R.D.S.
FILE NAME:WESTSCHOOL\LOT 29_30	REVISED
SITE PLAN FOR DUPLEX TOWNHOUSE	SCALE: 1"=20'
825 & 835 OLD SCHOOL DRIVE	DATE: MAR. 2020
	DRAWING NUMBER: S - 1



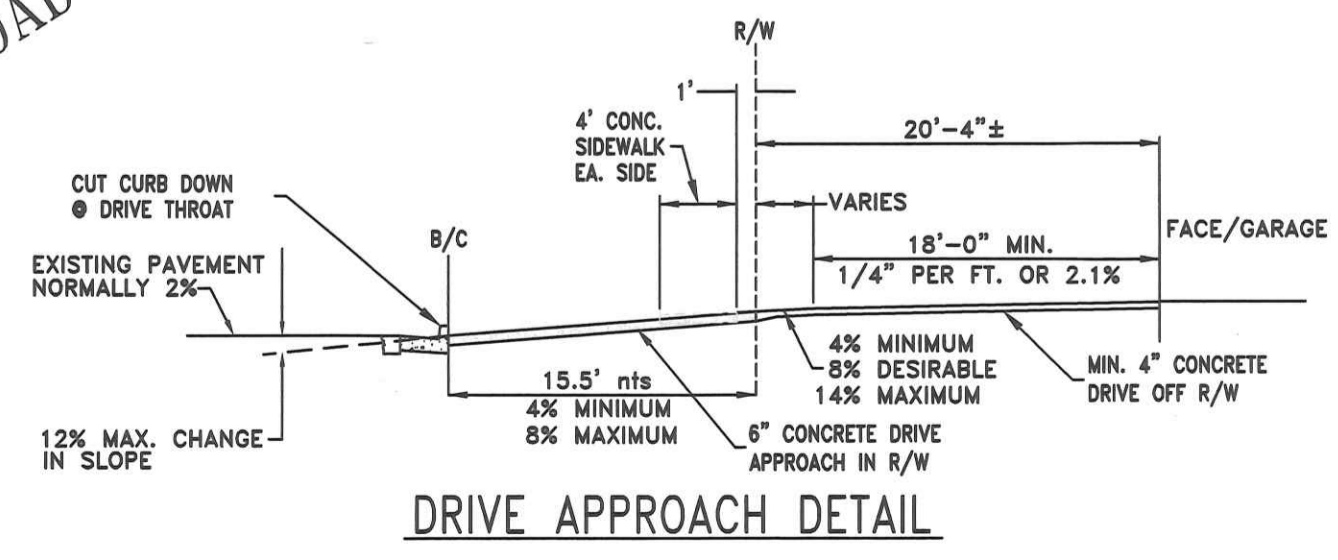
LOCATION MAP



OHIO UTILITIES PROTECTION SERVICE
 The underground utilities shown hereon are only approximate. Some of the utilities were located by field observation, where possible, and the remaining utilities were derived from various records. Exact locations must be determined by the UTILITY COMPANIES. For exact locations, telephone the Ohio Utilities Protection Service (O.U.P.S.) toll free at 1-800-362-2764. (Telephone 2 working days before any digging.)



RAILROAD PROPERTY & R/W



SITE LOCATION PLAN
 FOR
LOTS NO. 29 & 30
 WESTVIEW VILLAS SUBDIVISION
 CITY OF NAPOLEON, NAPOLEON TOWNSHIP.
 HENRY COUNTY, OHIO

	BECK CONSTRUCTION CO	
	SCOTT STREET	419/592-8307 NAPOLEON, OHIO
DIRECTORY: C:\ND\BECKCONST\	FILE NAME: WESTSCHOOL\LOT 29_30	DRAWN BY: R.D.S.
SITE PLAN FOR DUPLEX TOWNHOUSE		REVISOR:
825 & 835 OLD SCHOOL DRIVE		SCALE: 1"=20'
		DATE: MAR. 2020
		DRAWING NUMBER: S - 1